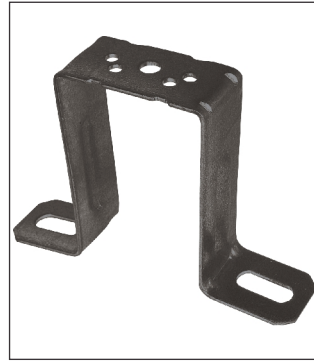
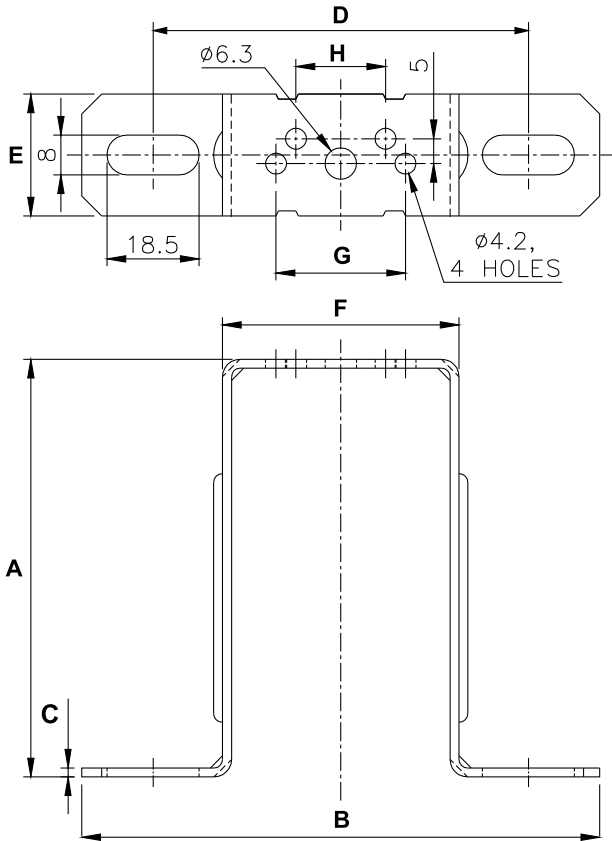
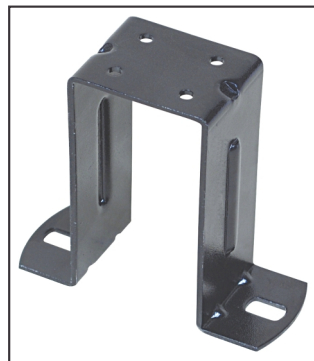
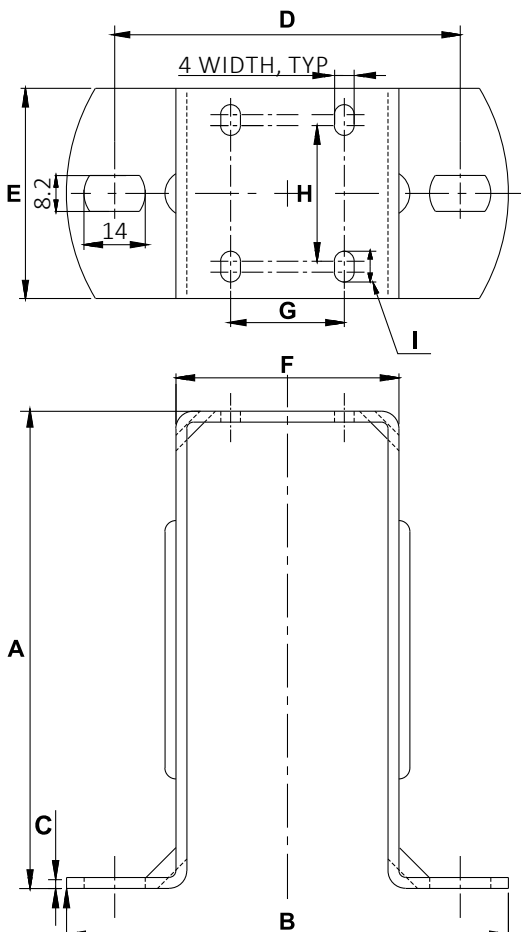


MOUNTING STAND

REXNORD®



Metal Stand Part No.	Suitable To Model	Weight gram	Dimension							
			A	B	C	D	E	F	G	H
MS020	8313-05 A2	76.0	72	109.5	1.8	81	24.5	51	26	18
MS021	8320-07 A2	82.0	84	104	1.8	75.4	24.5	47.5	26	18
	8320-10 A2									



Metal Stand Part No.	Suitable To Model	Weight gram	Dimension								
			A	B	C	D	E	F	G	H	I
MS022	8325-16 A2	226	109	101	2.5	79	39	56	26	14.5	12
	8330-18 A2										
MS017	8340-25 A2	260	109	101	2.5	79	48	51	26	31	7
	8345-34 A2										